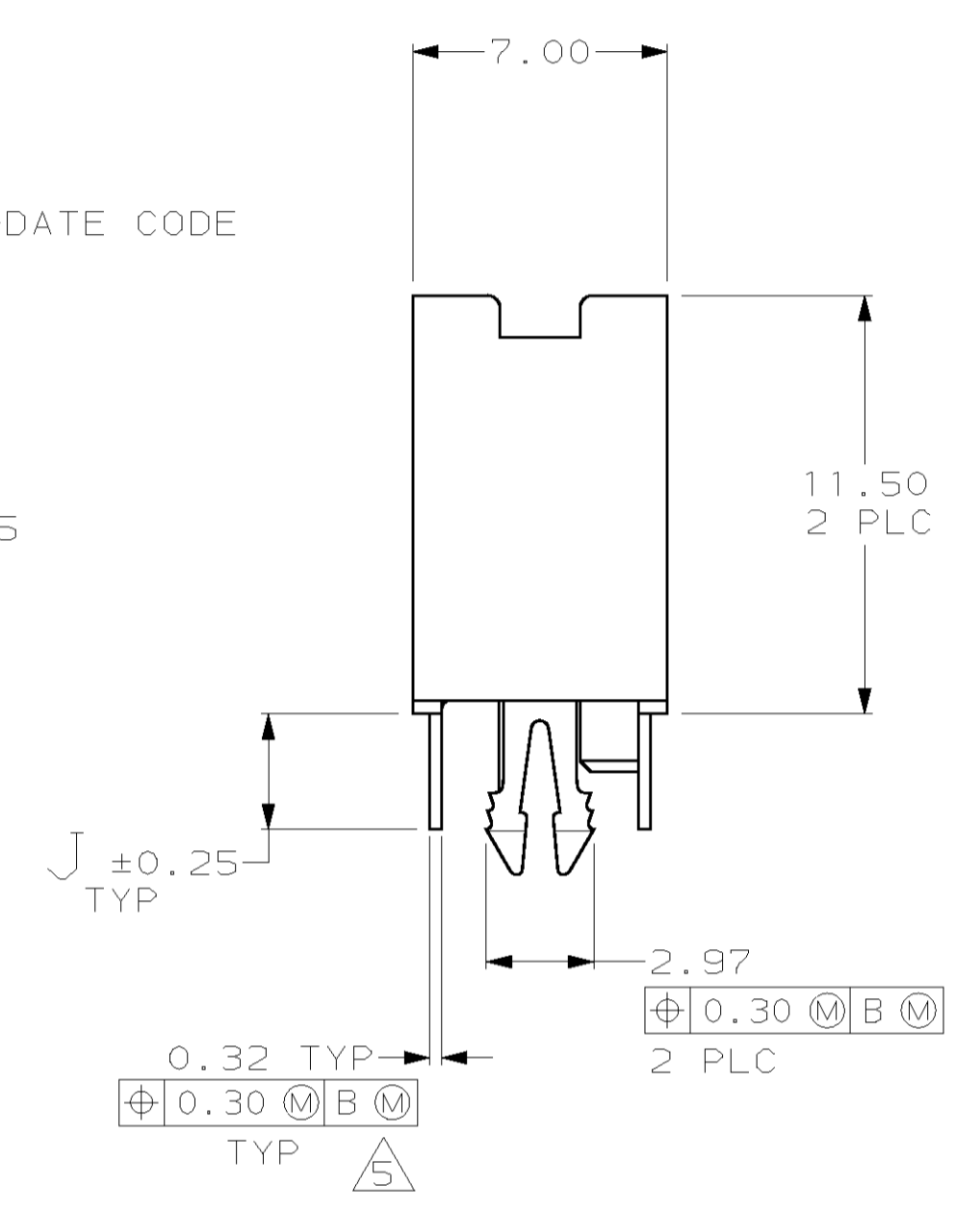
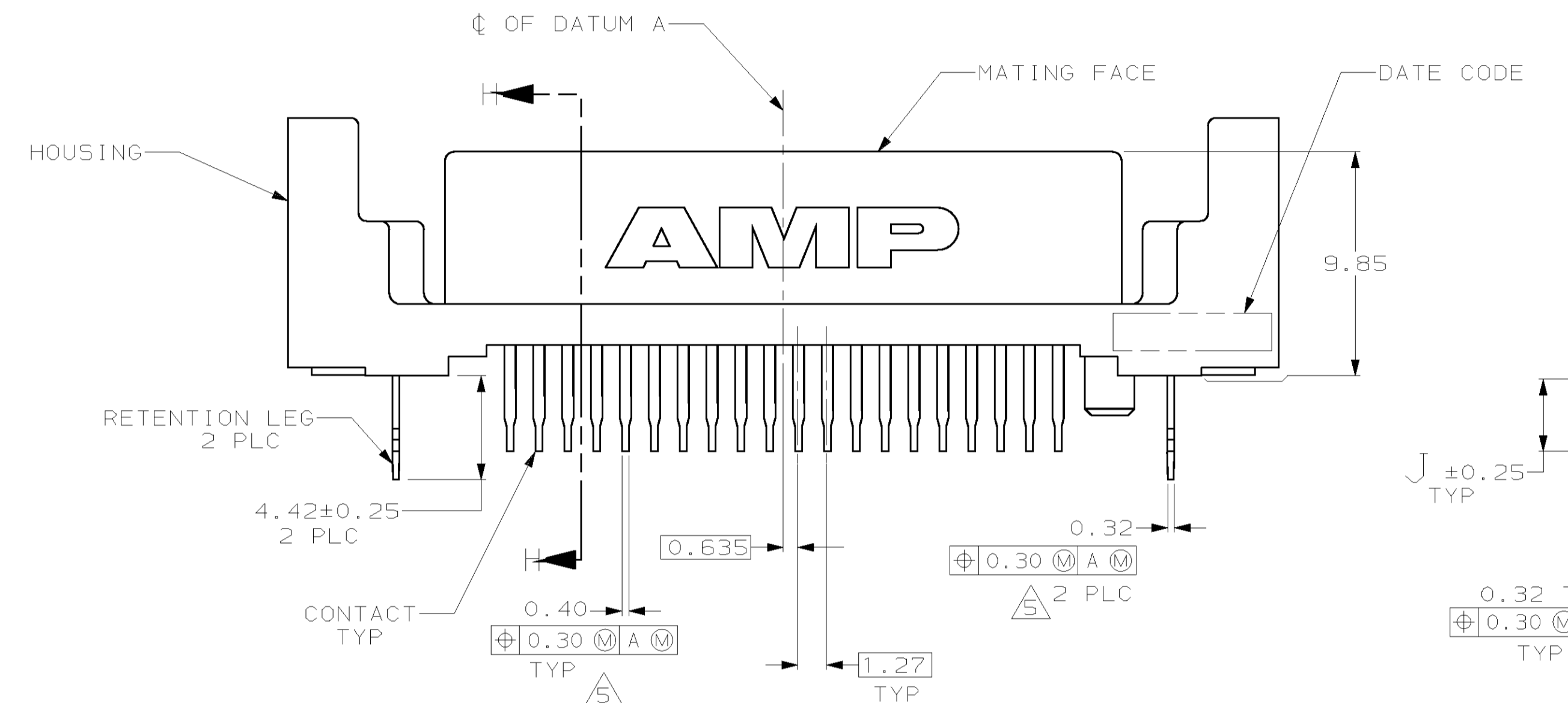
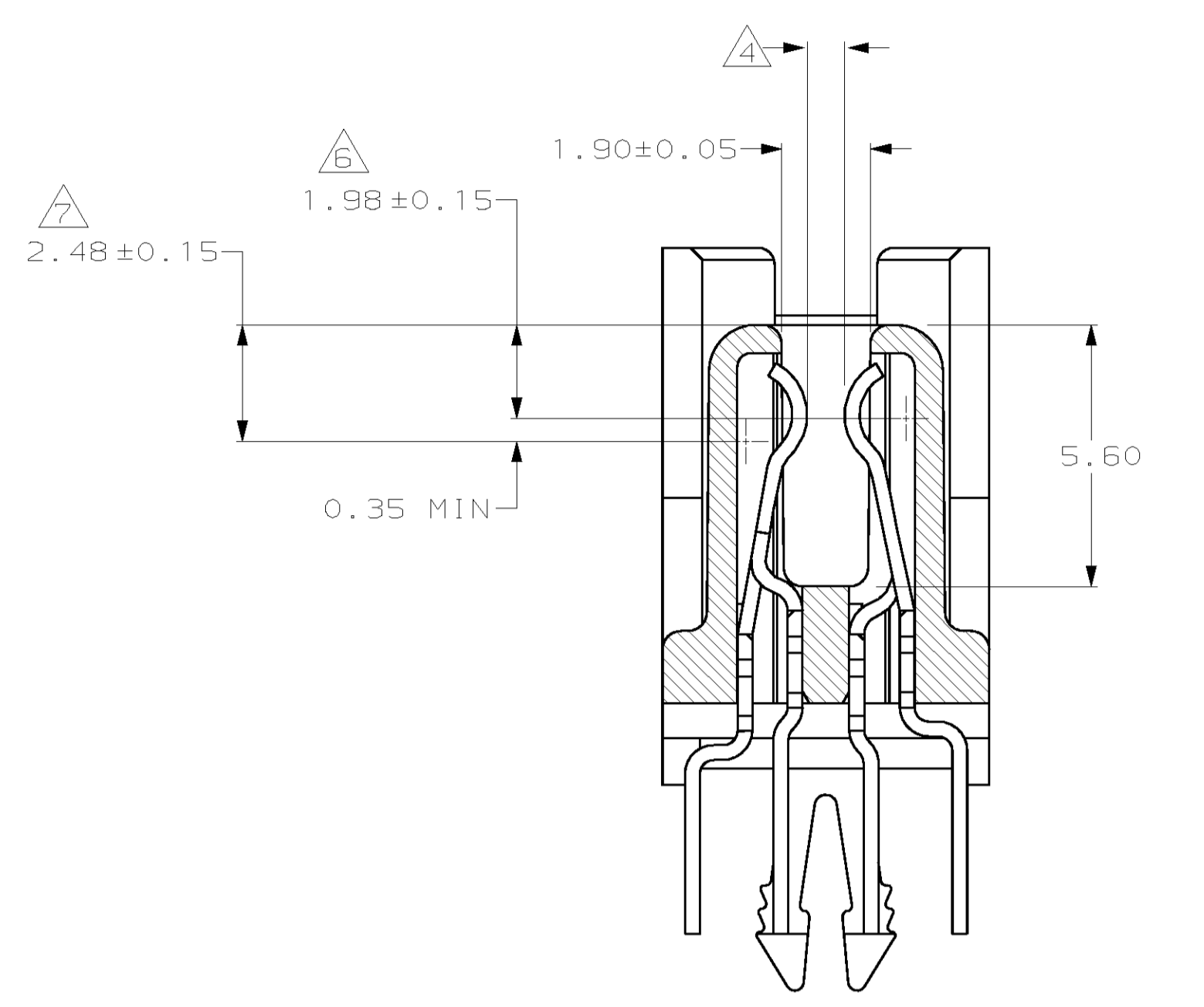
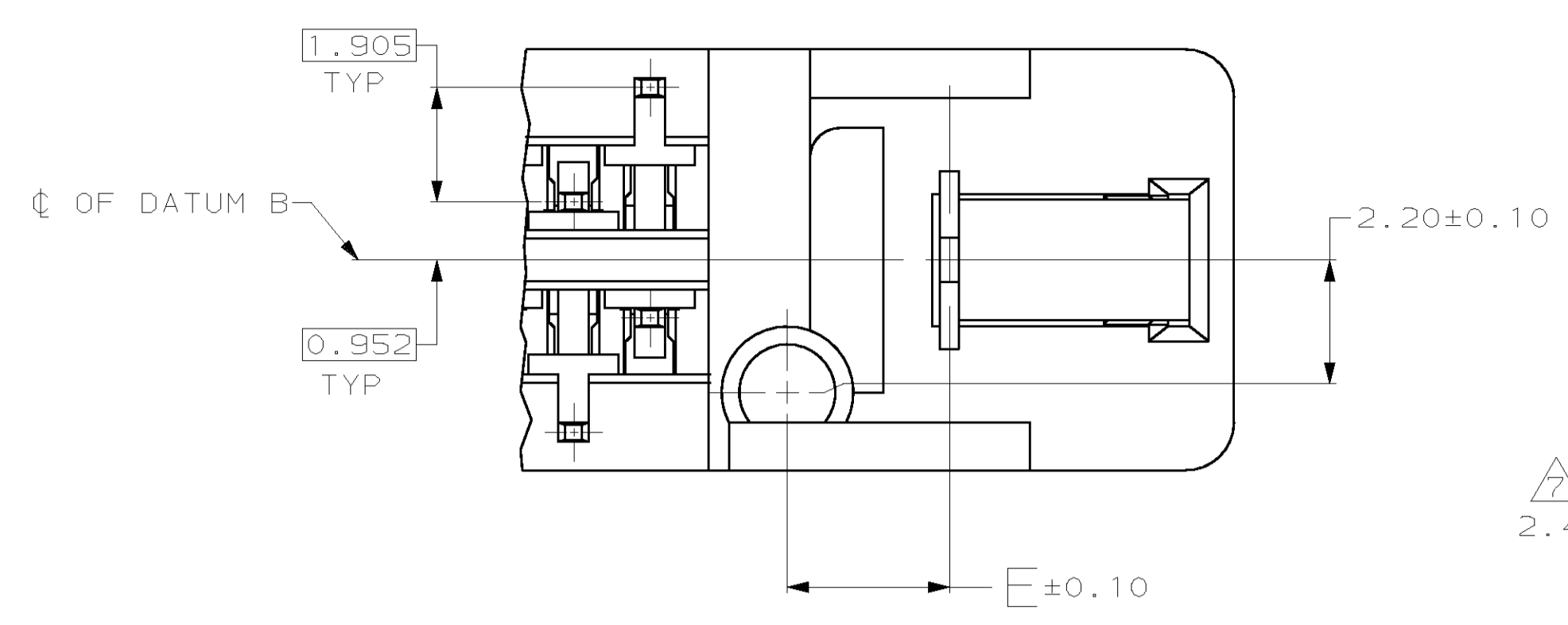
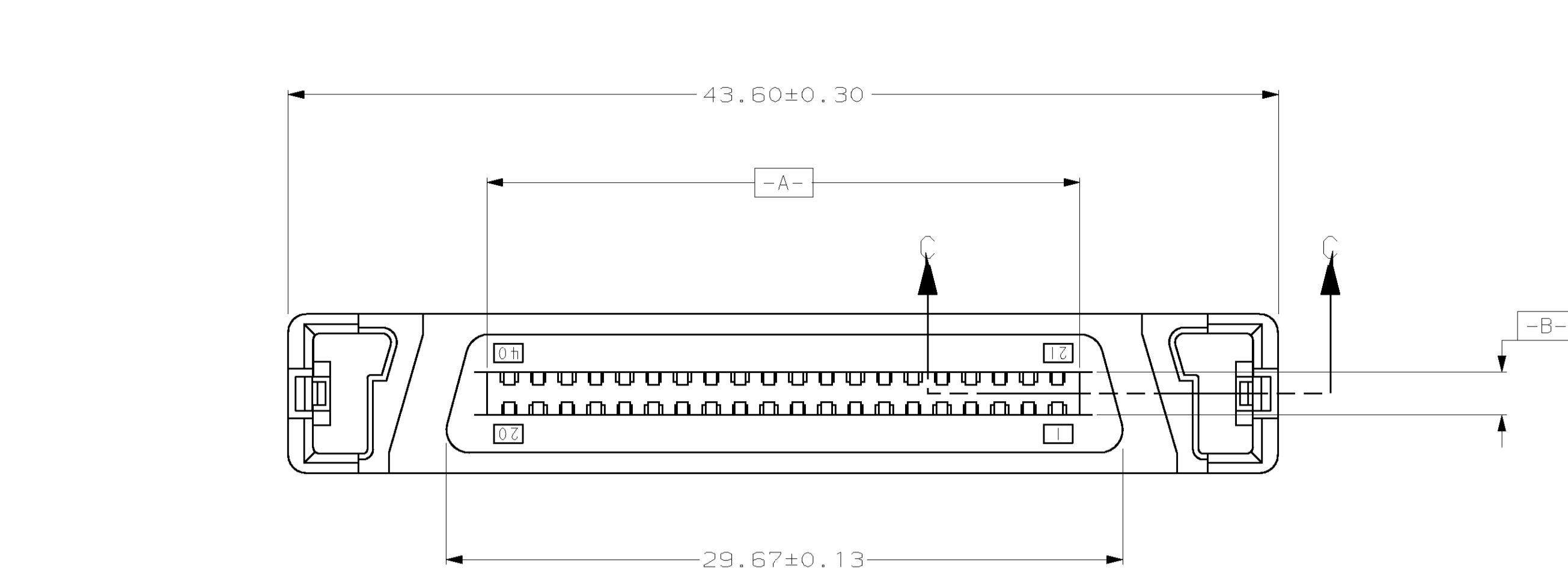
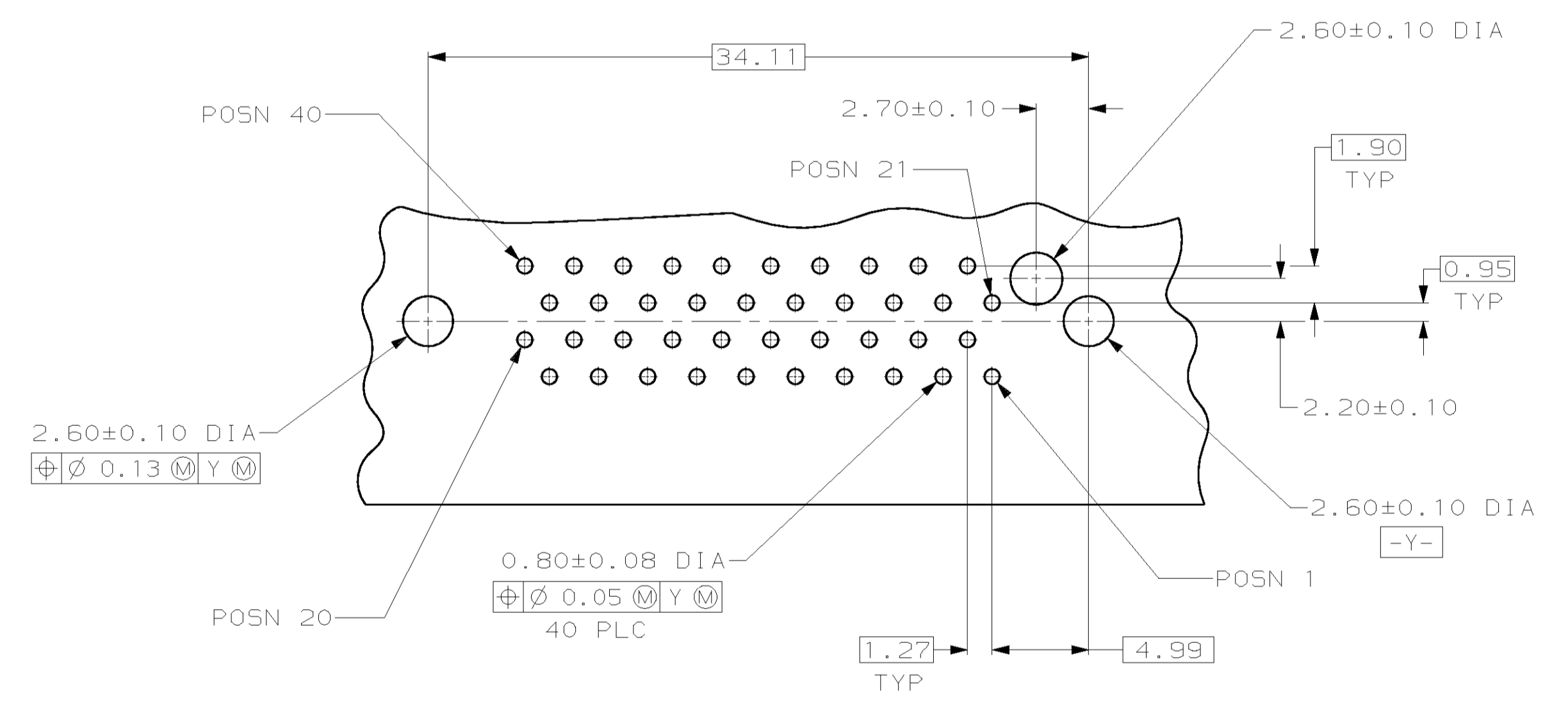
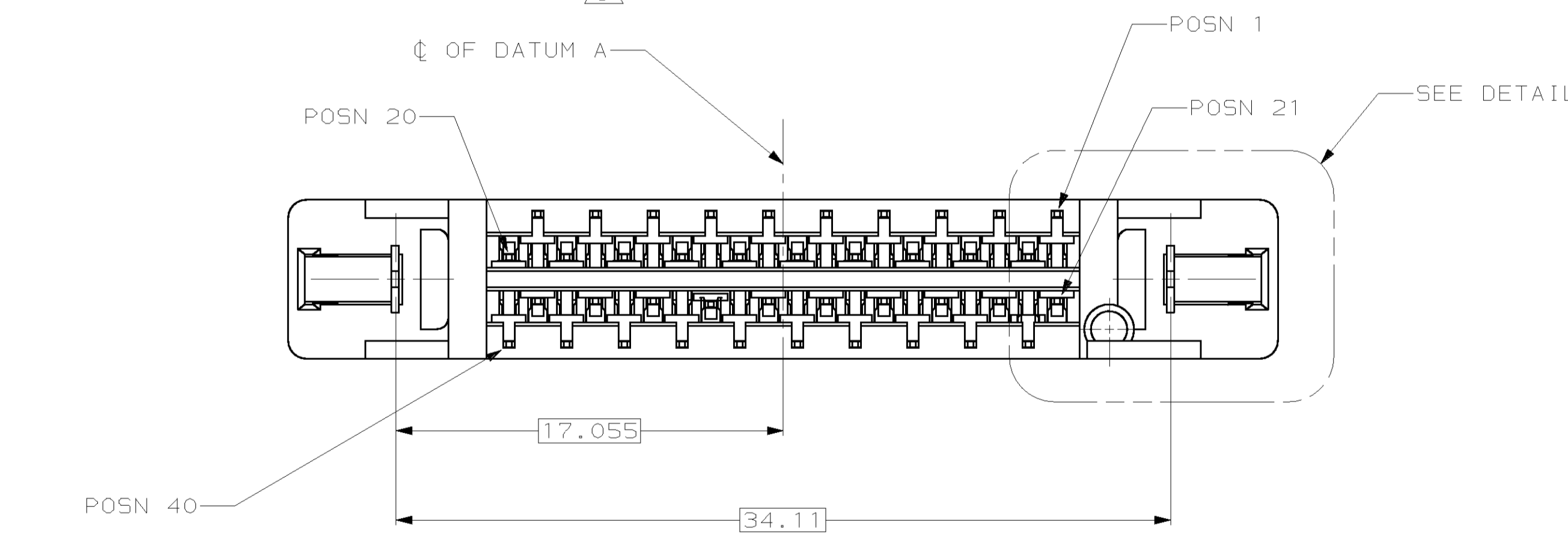


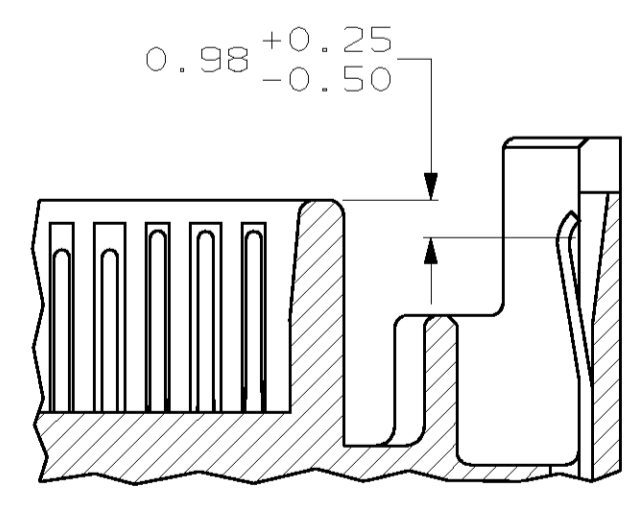
REVISONS		DATE	DN	APVD
GP	00			
J		12MAY05	JG	SS



SECTION H-H
SCALE 8:1



RECOMMENDED PC BOARD
MOUNTING DIMENSIONS
COMPONENT SIDE
SCALE 4:1



SECTION C-C

- 1 HOUSING: LCP, UL 94V-0 RATED, BLACK. CONTACTS: PHOSPHOR BRONZE. RETENTION LEGS: BRASS.
- 2 CONTACTS: 0.76 μm GOLD FOR A LENGTH 1.20 MIN STARTING 0.50 MAX FROM MATING END, 3.81 μm MIN TIN-LEAD FOR A LENGTH OF 3.43 MIN FROM OPPOSITE END, BOTH OVER 1.27 μm MIN NICKEL.
- 3 RETENTION LEGS: 3.81 μm MIN TIN-LEAD OVER 1.27 μm MIN NICKEL.
- 4 CONNECTOR WILL ACCOMMODATE MATING PRINTED CIRCUIT BOARD OF 1.60±0.07 THICKNESS.
- 5 POSITION TOLERANCE APPLIES AT CONTACT TIP ONLY.
- 6 CONTACTS 21, 22, 23, 26, 29, 32, 35-40 ARE POSITIONED TOWARD THE MATING FACE. (FIRST MATE)
- 7 CONTACTS 1-20, 24, 25, 27, 28, 30, 31, 33, 34 ARE POSITIONED AWAY FROM THE MATING FACE. (SECOND MATE)
- 8 CONTACTS: 0.76 μm GOLD FOR A LENGTH 1.20 MIN STARTING 0.50 MAX FROM MATING END, 3.81 μm MIN MATTE TIN FOR A LENGTH OF 3.43 MIN FROM OPPOSITE END, BOTH OVER 1.27 μm MIN NICKEL.
- 9 RETENTION LEGS: 3.81 μm MIN HALT TIN.

OBSELETE	8/9	3.18	40	787317-4
OBSELETE	2/3	4.57	40	787317-3
OBSELETE	2/3	3.18	40	787317-2
OBSELETE	2/3	3.18	40	787317-1
FINISH	J	NO OF POSN	PART NUMBER	

<small>THIS DRAWING IS A CONTROLLED DOCUMENT AND IS UNPUBLISHED. IT IS SUBJECT TO CHANGE AND THE CONTROLLING ENGINEERING ORGANIZATION SHALL BE CONTACTED FOR THE LATEST REVISION.</small>		DWN C. DORWART 06/07/95 CHK R. STONE 06/18/95 APP'D M. RUPERT 06/18/95 PRODUCT SPEC APPLICATION SPEC 114-6061 WEIGHT CUSTOMER DRAWING	AMP Incorporated Harrisburg, PA 17105-3608 NAME RECEPTACLE ASSEMBLY, VERTICAL, CHAMP BLINDMATE .050 SERIES I SIZE CAGE CODE DRAWING NO A1 00779 SCALE 5:1 SHEET 1 OF 1 REV J
---	--	--	---